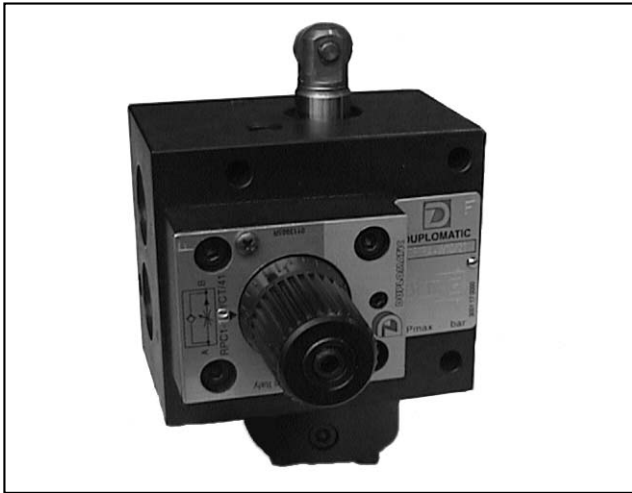




DIPLOMATIC
HYDRAULICS

36 100/103 ED



CP1R*-W

ROLLER OPERATED FAST/SLOW SPEED SELECTION VALVE

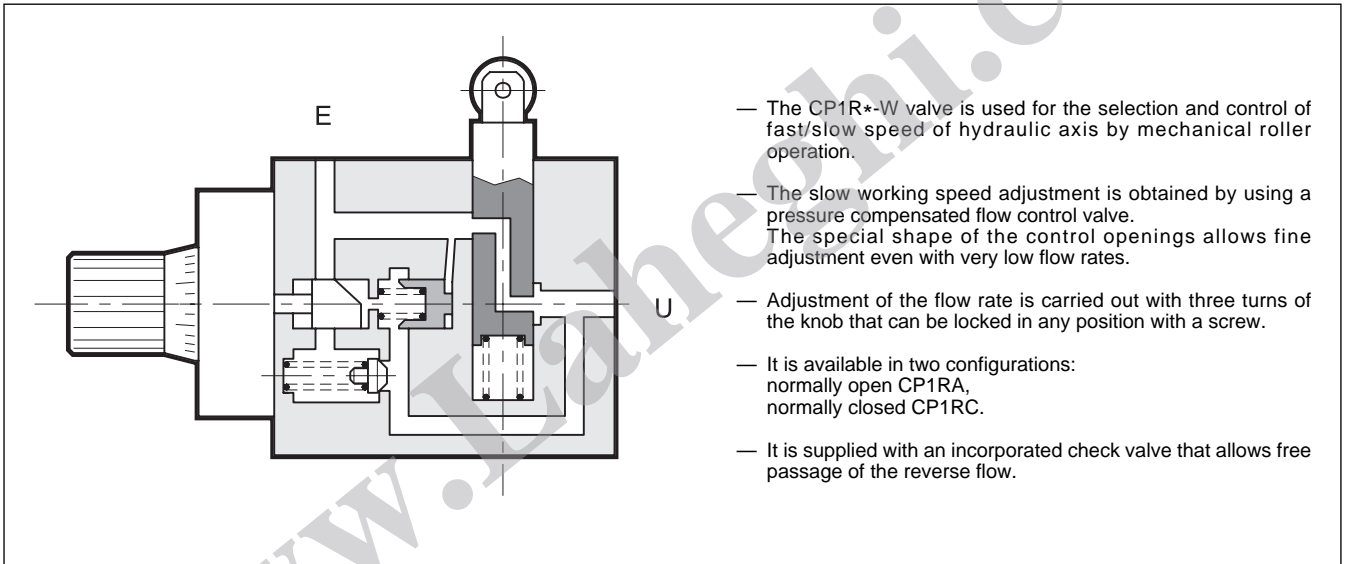
SERIES 21

THREADED PORTS

p max 70 bar

Q max 40 l/min.

OPERATING PRINCIPLE



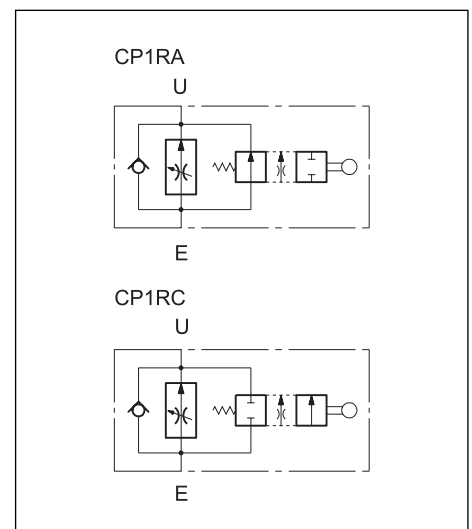
CONFIGURATIONS (see Hydraulic symbols table)

- CP1RA-W: normally open - fast movement with roller in rest position and controlled slow movement with roller in operation.
- CP1RC-W: normally closed - controlled slow movement with roller in rest position and fast movement with roller in operation.

PERFORMANCE RATINGS (obtained with mineral oil with viscosity of 36 cSt at 50°C)

Maximum operating pressure	bar	70
Fast movement maximum flow rate	l/min	40
Controlled slow movement flow rate	max. l/min min. l/min	4 - 10 - 16 0,1
Roller working movement	mm	6
Roller operation force	N	300
Ambient temperature range	°C	-20 ÷ +50
Fluid temperature range	°C	-20 ÷ +80
Fluid viscosity range	cSt	10 ÷ 400
Recommended viscosity	cSt	25
Degree of fluid contamination	According to NAS 1638 class 10	
Mass	kg	3,2

HYDRAULIC SYMBOLS

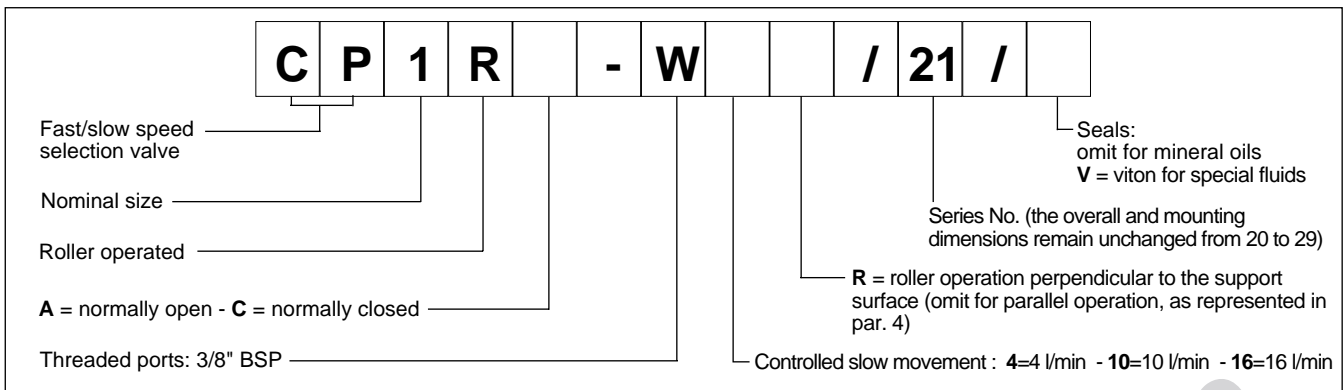




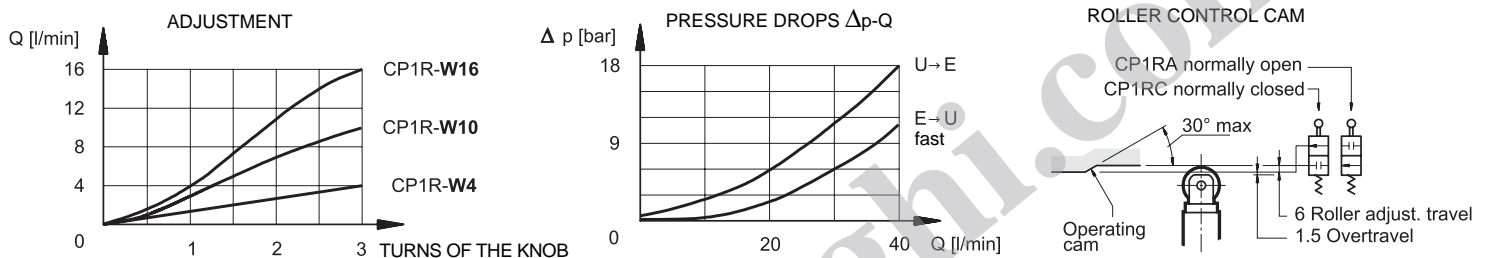
CP1R*-W

SERIES 21

1 - IDENTIFICATION CODE



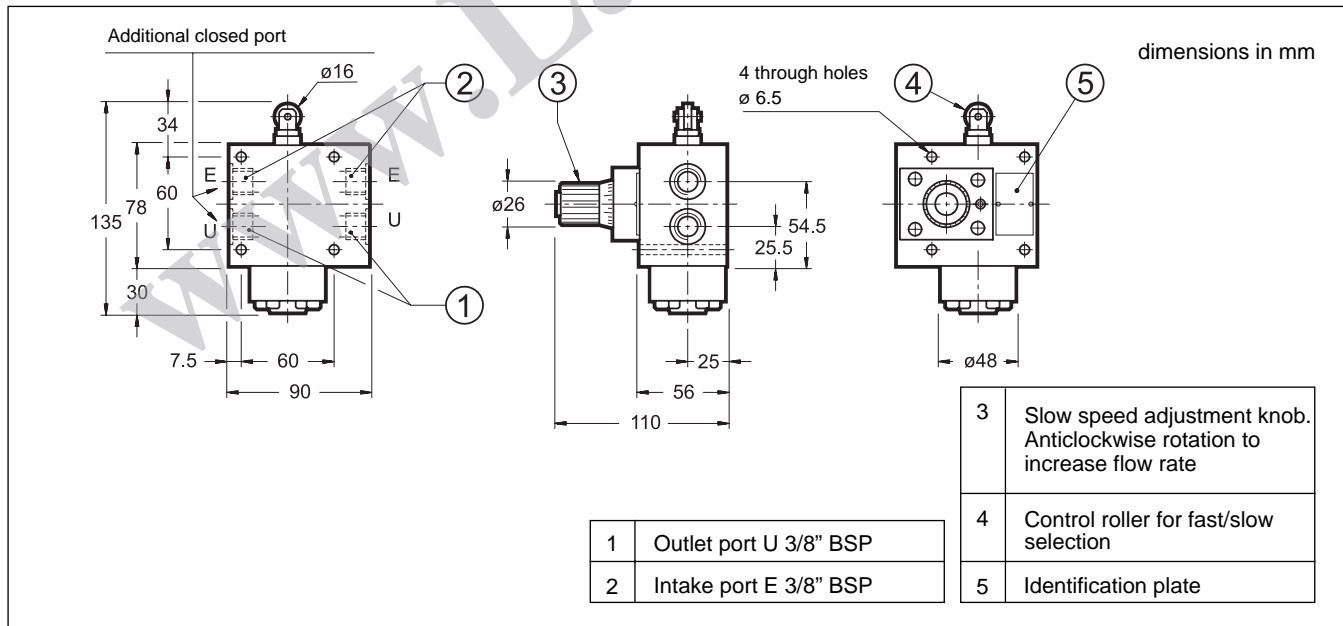
2 - CHARACTERISTIC CURVES (values obtained with viscosity of 36 cSt at 50°C)



3 - HYDRAULIC FLUIDS

Use mineral oil-based hydraulic fluids, with the addition of suitable anti-frothing and anti-oxidizing agents. For the use of other types (water glycol, phosphate esters and others), please consult our technical department.

4 - OVERALL AND MOUNTING DIMENSIONS



DIPLOMATIC HYDRAULICS

20025 LEGNANO (MI) - P.le Bozzi, 1 / Via Edison
Tel. +39-331-472111 - Fax +39-331-548328